



ECAC Dual Inlet Blower

Material: Scroll Housing and impeller make of galvanised sheet steel

Option: Also available with discharge flange

Technical Features: Control input 0-10V/PWM, tach output

Type of protection: IP44

Mode of operation: Continuous operation(S1)

Safety: In process

Operation Temperature: -20°C ~ +60°C

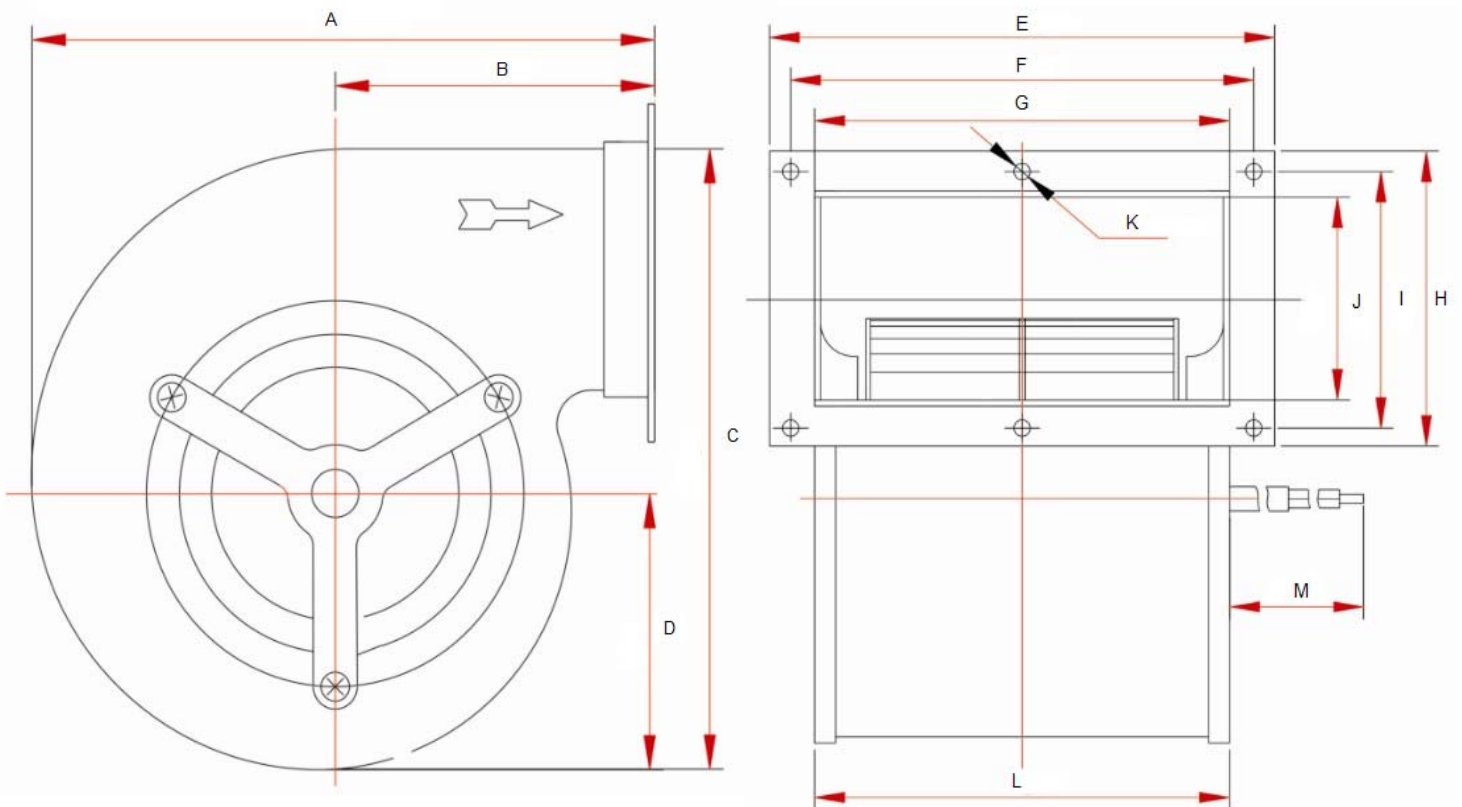


Dimension(mm)

Model	A	B	C	D	E	F	G	H	I	J	K	L	M
PBA2D133HB2M	174	90	180	79	255	237	215	110	92	70	6X ϕ 6	217	800
PBA2D146HB2M	210	100	218	97	270	252	230	140	122	100	6X ϕ 6	232	800
PBA2D160HB2M	228	105	245	107	310	290	270	145	129	105	12X ϕ 6	312	800
PBA2D180HB2M	297	133	333	136	300	480	250	275	254	225	NX ϕ 7	252	800
PBA2D200HB2M	329	147	370	151	330	310	280	300	280	250	12X ϕ 7	282	800

Major Characteristic Parameter

Listed Model	Bearing System	Rated Voltage	Operation Voltage	Frequency	Rated Current	Rated Speed	Power	Air Flow	Air pressure	Noise Level	Available Features (Optional)		
											Tachometer Output	Autorestart	Pulse Width Modulation
Part NO.	B / S	VAC	VAC	Hz	A	RPM	W	CFM	mmH2O	dBA			
PBA2D133HB2M	<u>B</u>	230	176~264	50/60	0.85	1,500	173	400	35	60	•	•	•
PBA2D146HB2M	<u>B</u>	230	176~264	50/60	1.1	1660	227	559	48	61	•	•	•
PBA2D160HB2M	<u>B</u>	230	176~264	50/60	1.9	1860	373	765	15	65	•	•	•
PBA2D180HB2M	<u>B</u>	230	176~264	50/60	0.55	1050	264	1118	24	63	•	•	•
PBA2D200HB2M	<u>B</u>	230	176~264	50/60	0.91	1100	436	1471	31	64	•	•	•





ECAC Single Inlet Blower

Material: Scroll Housing and impeller make of galvanised sheet steel

Option: Also available with discharge flange

Technical Features: Control input 0-10V/PWM, tach output

Type of protection: IP44

Mode of operation: Continuous operation(S1)

Safety: In process

Operation Temperature: -20°C ~ +60°C



Dimension(mm)

Model	A	B	C	D	E	F	G	H	I	J	K	L	M
PBA2S140HB2M	228	105	245	107	130	115	94	127.5	110	92	4X ϕ 6.5	147	500
PBA2S146HB2M	228	105	245	107	130	115	94	127.5	110	92	4X ϕ 6.5	147	500
PBA2S160HB2M	228	105	245	107	130	115	94	127.5	110	92	4X ϕ 6.5	147	500
PBA2S180HB2M	261	120	281	123	125	110	85	150	135	110	4X ϕ 7	182	500
PBA2S200HB2M	329	147	371	151.5	197	175	145	299.5	279	250	Nx ϕ 7	222	500
PBA2S225HB2M	328	158	371	151.5	195	175	145	299.5	279	250	Nx ϕ 7	232	500

Major Characteristic Parameter

Listed Model	Bearing System	Rated Voltage	Operation Voltage	Frequency	Rated Current	Rated Speed	Power	Air Flow	Air pressure	Noise Level	Available Features (Optional)		
Part NO.	B / S	VAC	VAC	Hz	A	RPM	W	CFM	mmH2O	dBA	Tachometer Output	Autorestart	Pulse Width Modulation
PBA2S140HB2M	<u>B</u>	230	176~264	50/60	0.95	2,350	190	282	41	73	•	•	•
PBA2S146HB2M	<u>B</u>	230	176~264	50/60	0.73	1600	168	283	52	65	•	•	•
PBA2S160HB2M	<u>B</u>	230	176~264	50/60	1.26	2100	255	359	71	72	•	•	•
PBA2S180HB2M	<u>B</u>	230	176~264	50/60	1.85	2150	364	441	91	74	•	•	•
PBA2S200HB2M	<u>B</u>	230	176~264	50/60	0.68	1350	336	977	38	72	•	•	•
PBA2S225HB2M	<u>B</u>	230	176~264	50/60	0.84	1310	418	1060	28	76	•	•	•

