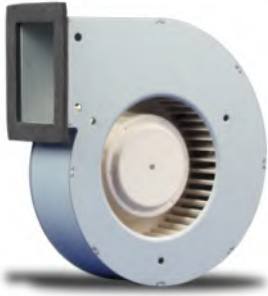


DC Single Inlet Blower

Φ100

DC 单进风鼓风机



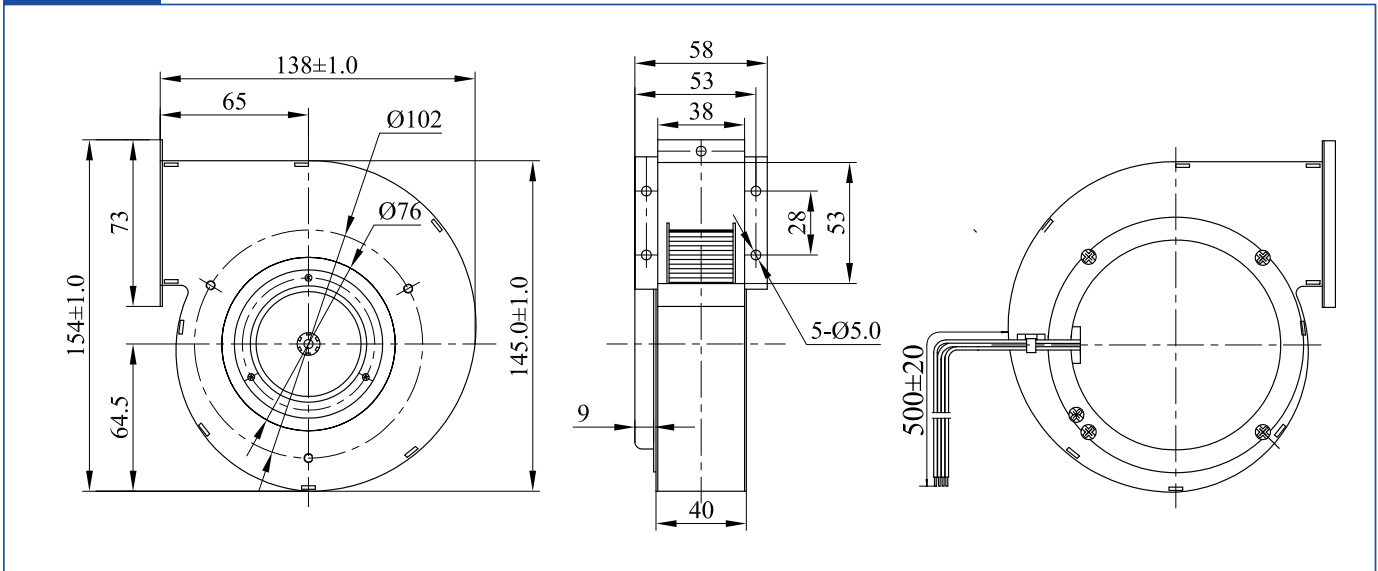
Impeller: Metal aluminum sheet or Plastic
shell: Metal steel platet
Motor: DC brushless external rotor motor
Insulation: Class B
Approvals: CE;UL is in process
Operating Temperature: -20~+60°C

叶轮材质: 金属铝或塑胶
 外框材质: 金属钢
 电机类型: DC无刷外转子电机
 绝缘等级: Class B
 产品符合的认证: CE;UL申请中
 工作温度: -20~+60°C

技术参数 Specifications

Listed Model 产品型号	Rated Voltage 额定电压	Operating Voltage 工作电压	Rated Current 额定电流	Rated Power 额定功率	Rated Speed 额定转速	Air Flow 风量		Air Pressure 风压		Noise Level 噪音	Net Weight 重量
Part NO.	VDC	VDC	A	W	RPM	CFM	m ³ /h	mmH ₂ O	inH ₂ O	dBA	Kg
PB2410040HB2M	24	16~28	1.2	26.4	2,800	66.7	113.4	34.48	1.36	56	0.66

外形 Outline



曲线 Curves

